

Installation & Operating Instructions

For

Dixon Bayco

4500 / 4500V Drop Adapters

For Sales and Service Contact

USA:

Dixon Bayco USA
Chestertown, Maryland
Phone: 410-778-2000
Fax: 410-778-4702
Toll Free: 800-355-1991
E-mail: dixonbayco@dixonvalve.com

Canada:

Dixon Group Canada Limited
Innisfil (Barrie), Ontario
Phone: 705-436-1125
Fax: 705-436-6251
Toll Free: 877-963-4966
E-mail: isales@dixongroupcanada.com

Europe:

Dixon Group Europe Ltd
Preston, England
Phone: +44 (0)1772 323529
Fax: +44 (0)1772 314664
E-mail: enquiries@dixoneurope.co.uk

Asia Pacific:

Dixon (Asia Pacific) Pty Ltd Wingfield,
South Australia
Phone: +61 8 8202 6000
Fax: +61 8 8202 6099
E-mail: enquiries@dixonvalve.com.au

Mexico:

Dixva, S. de R.L. de C.V.
Monterrey, N.L
Phone: 01-800-00-DIXON (34966)
Fax: 01-81-8354-8197
E-mail: contactenos@dixonvalve.com.mx



The Right Connection®

dixonvalve.com

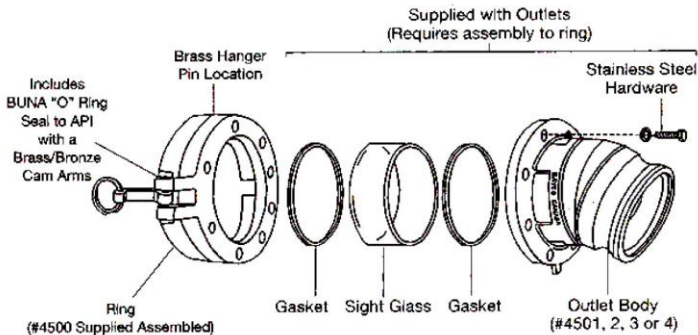
To properly operate and maintain your Dixon Bayco Drop Adapters the following instructions are provided. Please read with care as improper handling or maintenance may cause a hazardous condition.

Installation

Dixon Bayco 4500/4500V series 2 piece drop adapters (with built in sight glass) are designed to couple with API fittings and allow connection with standard hose couplings when unloading petroleum from tankers. The drop adapter consists of 2 parts (purchased separately) that must be bolted together. They are:

#4500/4500V ring assembly – with cam arms and O-ring seal

Outlet adapter (#4501/02/03 or 04) includes sight glass and mounting hardware.



When shipped, the sight glass, gaskets, bolts and washers are attached to the outlet in a plastic bag and must be installed to the mating #4500/4500V ring. The ring is supplied assembled. To install the sight glass and attach the drop adapter, proceed as follows:

1. The plastic bag contains the sight glass, 2 gaskets, 8 bolts, and 8 spring washers. Take the sight glass and gaskets out of the plastic bag and place one gasket inside the adapter inlet end and make sure it is seated evenly.
2. Carefully (keep straight) slide the sight glass into the inlet end and onto the gasket.
3. Place the other gasket inside the inlet and on the sight glass.

4. Check the ring flange assembly and locate brass pin.
5. Using the eight bolts and spring washers provided, attach the adapter to the mating ring flange with the brass pin at the 12:00 position as shown in the sketch. **Coat bolts with anti-seize compound.**

Operation

1. Check use of assembled adapter by applying to API valve. Note that the brass pin (on the #4500/4500V ring) should be at 12:00 and in line with the 22-½ outlet bend. The pin allows the adapter assembly to “hang” onto the API while locking cam arms.
2. Check for proper seal of “O” ring on API face and for drop hose connection to outlet end.

Inspection

Drop adapters can fail to operate if not properly maintained. Visually check the drop adapter assembly for damage or signs of leakage at least every month.

1. Check the sight glass for cracks, if visible cracks are seen replace the sight glass as indicated above.
2. Change the adapter if mechanical damage is noted.

Dixon Bayco Warranty

For complete warranty information, please refer to the latest Dixon catalog.